

MRH Portlaoise provides acute-care hospital services, including 24-hour emergency department services and a range of inpatient & outpatient services.

#### WINDOW BAR DESIGN from EED PROCESS

The following example of innovative design allows for greater natural ventilation, reducing the possible need for mechanical interventions and corresponding increased energy use.

#### AMAU Building Example – Window Bars

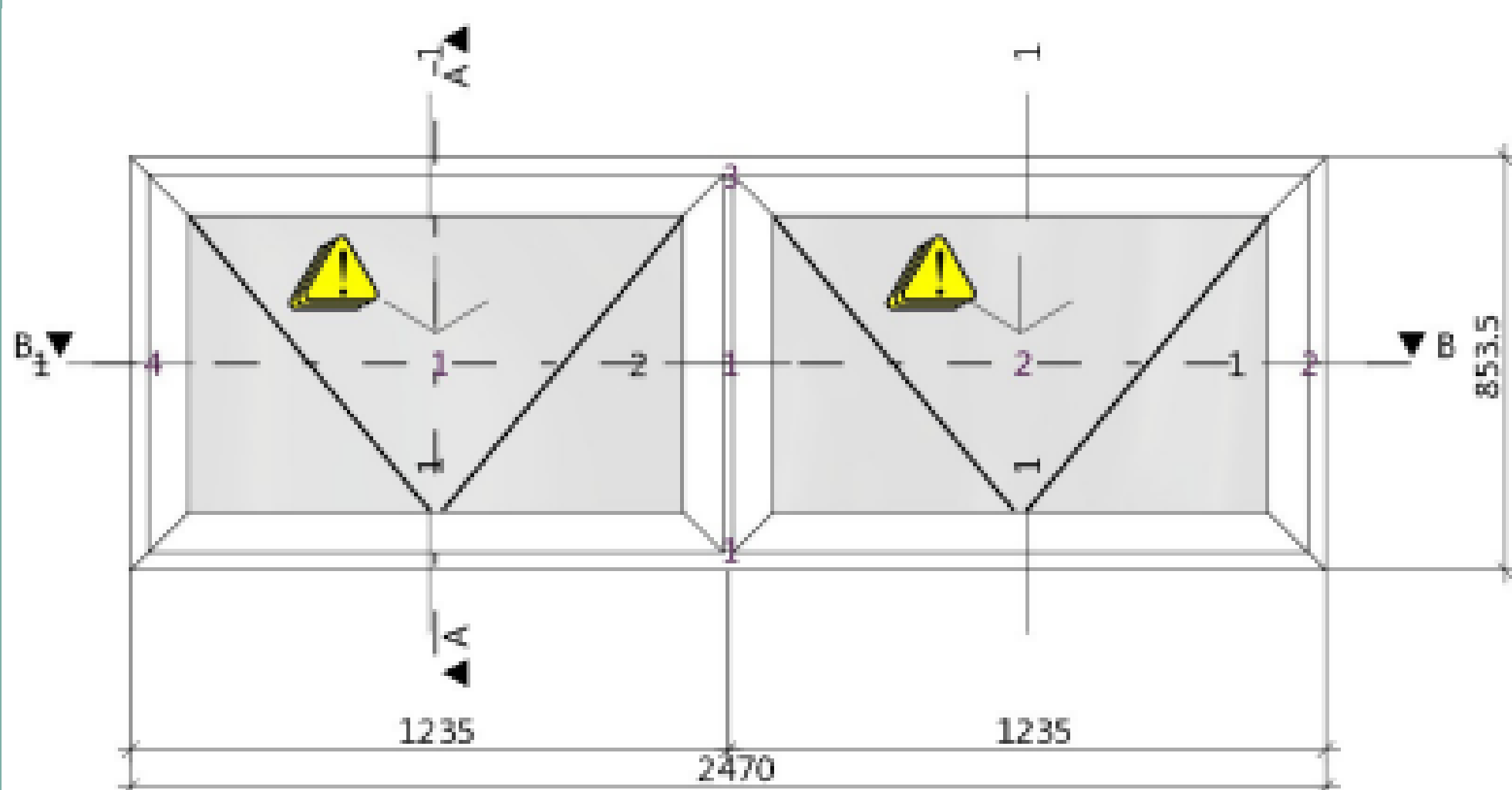


Additional external bar allows window opening to extend beyond required 100mm maximum opening.

- Windows can now be opened to a 200mm maximum.
- This allows for greater natural ventilation, with increased cross-flow in the room.

**Coupled with cavity Venetian blinds (seen in image)**

- Maximises shading co-efficient and therefore reducing cooling requirements.
- Classic internal blinds are susceptible to damage from occupants, and can lead to acoustic issues with open windows.



With overheating of internal spaces now a prominent and growing issue, simple change to window design can provide cost-effective and energy-efficient design solutions.